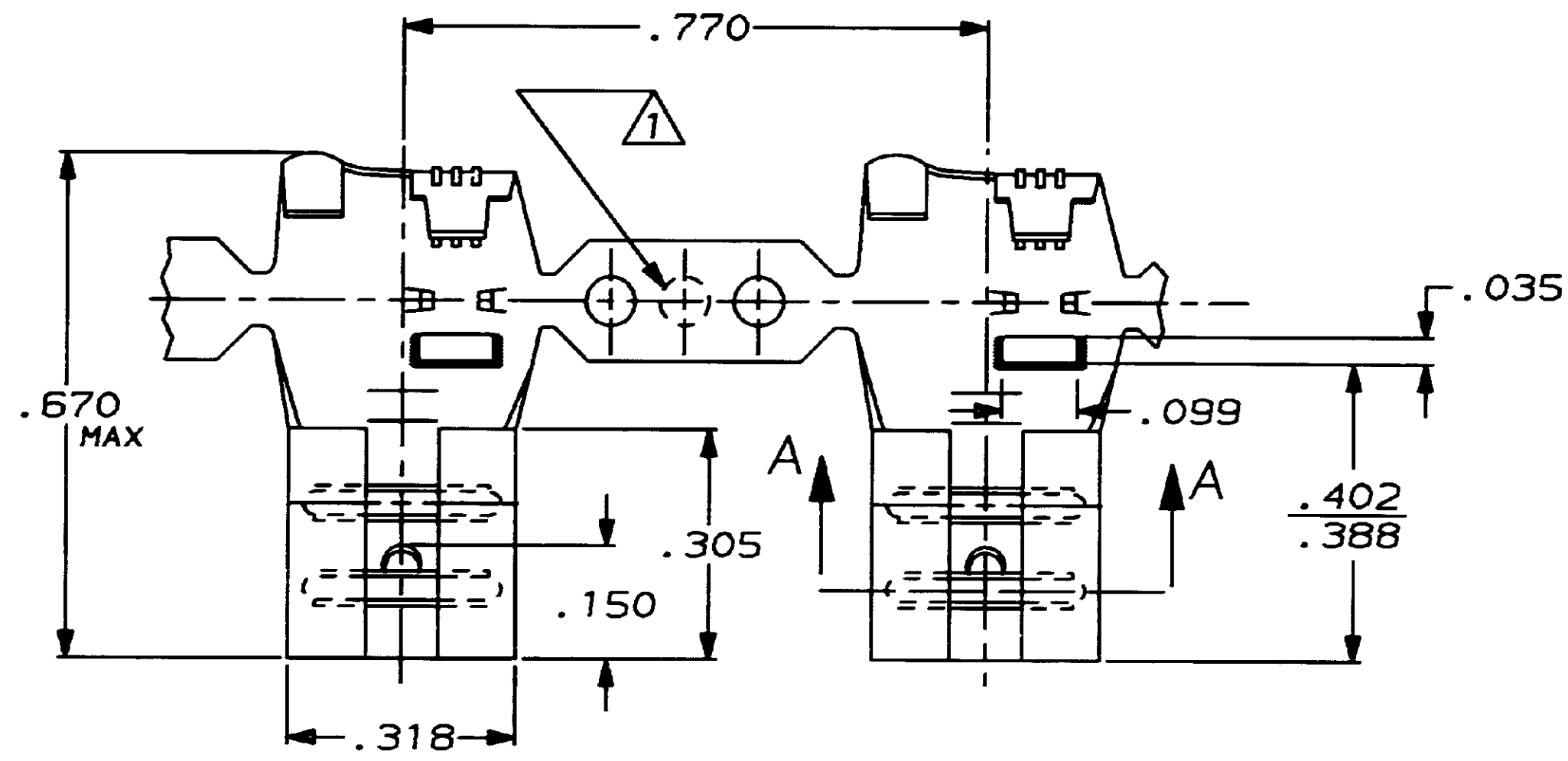
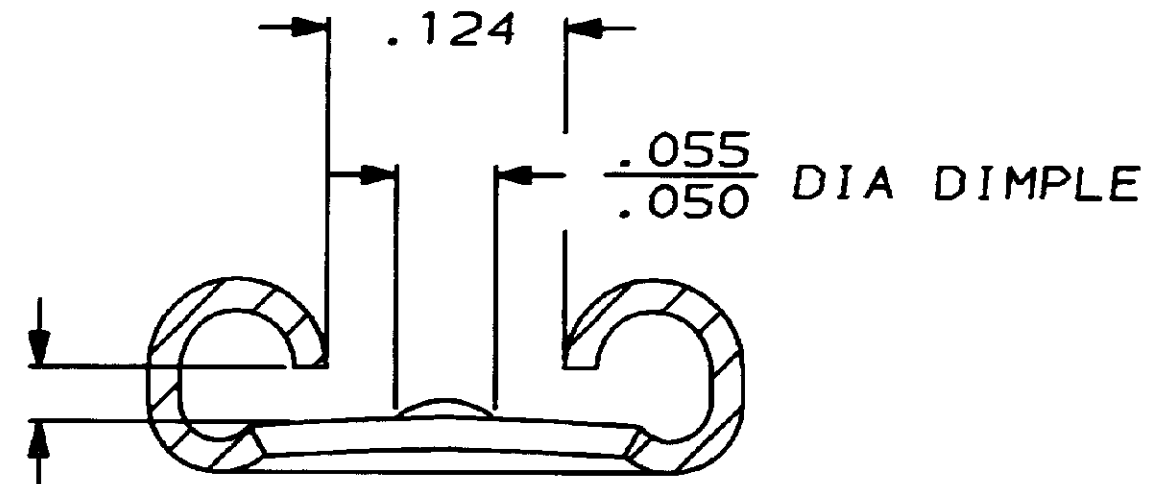


THIS DRAWING IS UNPUBLISHED. RELEASED FOR PUBLICATION ,19 .
 © COPYRIGHT 19 BY AMP INCORPORATED. ALL INTERNATIONAL RIGHTS RESERVED.

LOC	DIST	P	F	REVISIONS				
				ZONE	LTR	DESCRIPTION	DATE	APPD
AF	50				A	RELEASED AF-8036	5/18/92	JR/CH

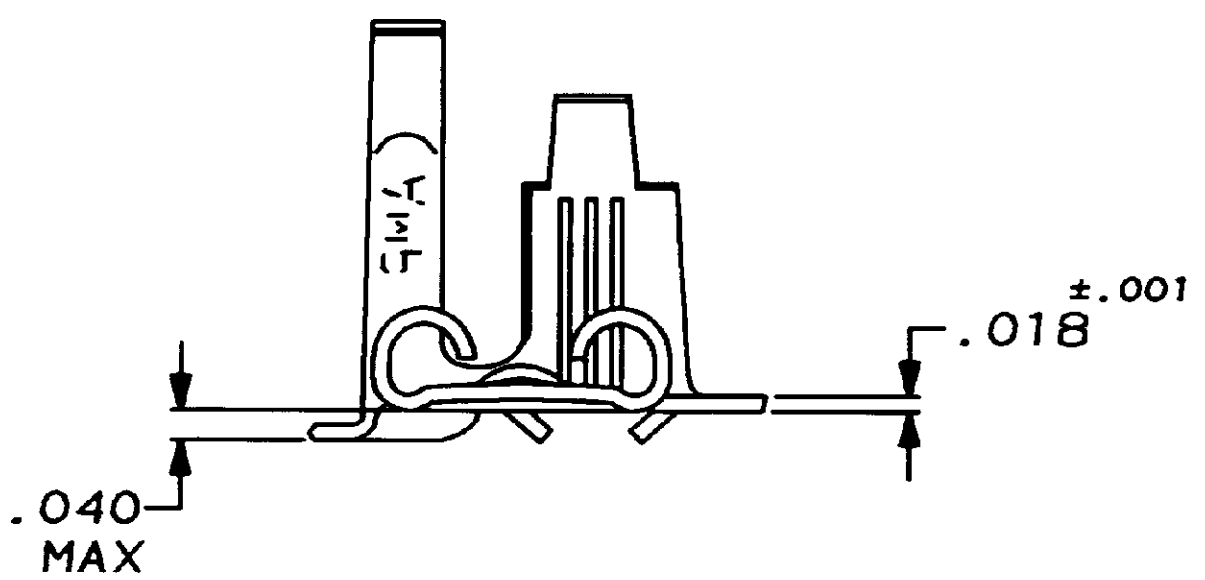


- 1 SINGLE OR DOUBLE PILOT HOLE OPTIONAL
- 2 MAX FIRST INSERTION FORCE, 20 LBS. USING GAGE 100505.



FITS .250 SERIES FASTON TAB

SECTION A-A
SCALE 8:1



.110-.210	18-12	.032	63651-1
INSULATION RANGE	WIRE SIZE	MATING TAB THK ±.001	PART NO
DO NOT SCALE PRINT. UNLESS SPECIFIED DIMENSIONS IN INCHES TOLERANCES ON: 2 PLC DEC ± - 3 PLC DEC ± .015 ANGLES ± -	DR 6/8/92 JR RUTH	AMP AMP INCORPORATED Harrisburg, Pa. 17105	
	CHK 6/8/92 MS FEHER		
	APPD 6/8/92 C MEYERS	NAME RECEPTACLE, FASTON, FLAG, .250 SERIES	
	APPD 6/8/92 R KUZO		
MATERIAL #3H PHOS BRZ	PRODUCT SPEC -	SIZE B	CAGE CODE 00779
FINISH TIN	APPLICATION SPEC -	SCALE 4:1	DRAWING NO 63651
	WEIGHT -		SHEET 1 OF 1